

**PAPER-IV**  
**ENGINEERING DRAWING (1ST YEAR)**  
**(ANNUAL EXAMINATION) COMMON FOR ONE /TWO YEAR TRADES**

**TIME: 3HRS.**

**MARK: 50**

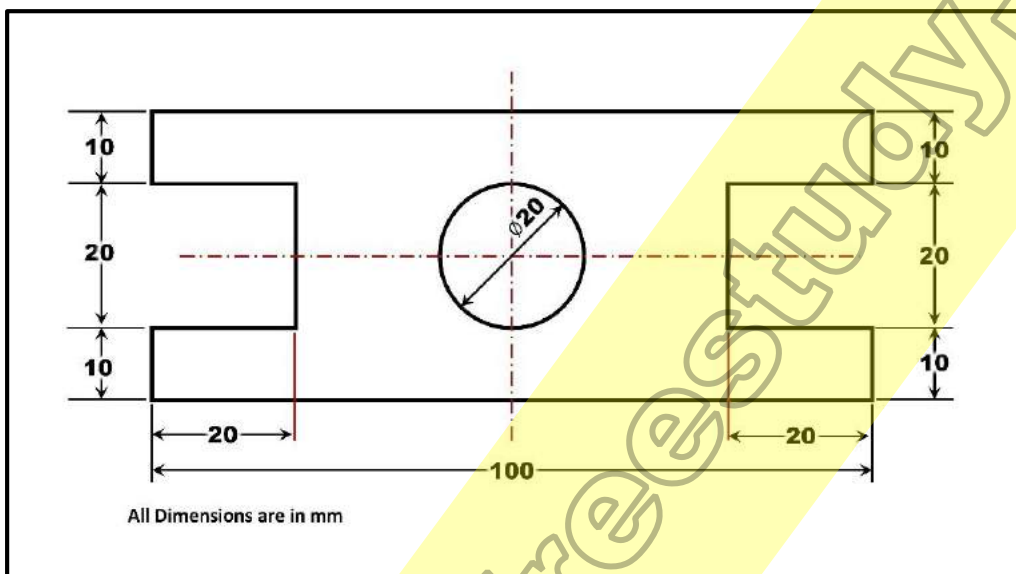
**Note: Attempt all questions.**

1. Draw Free hand drawing of any two tools.
  - i. Wire Gauge
  - ii. Combination Plier
  - iii. Cross Peen hammer
  - iv. Screw Driver

(10)

2. Redraw the given figure.

(10)



3. Draw the Front view, Top view and side view in 3rd angle projection. (Arrow indicates front view).

(30)

